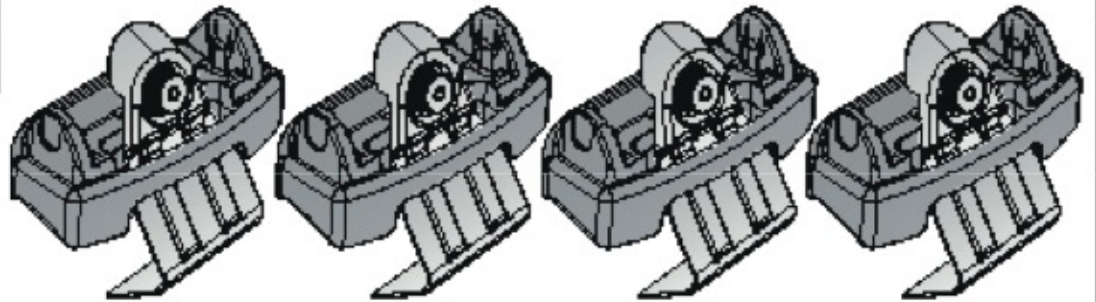


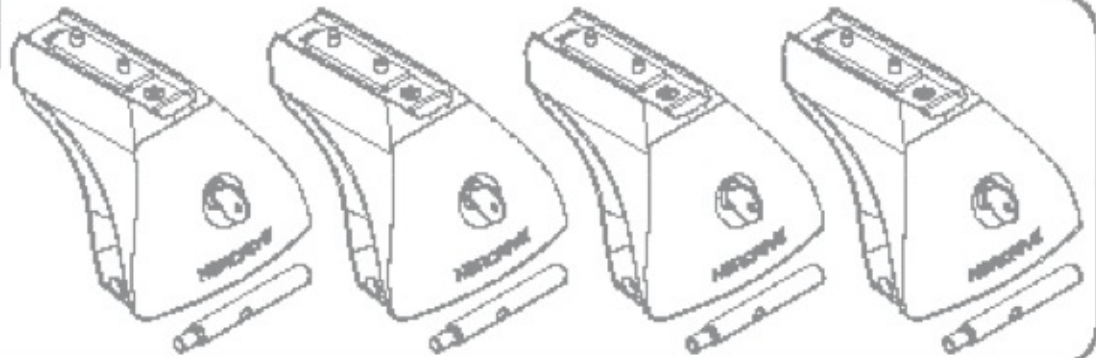
Art.
N21116



C



Art. **N20001**



B

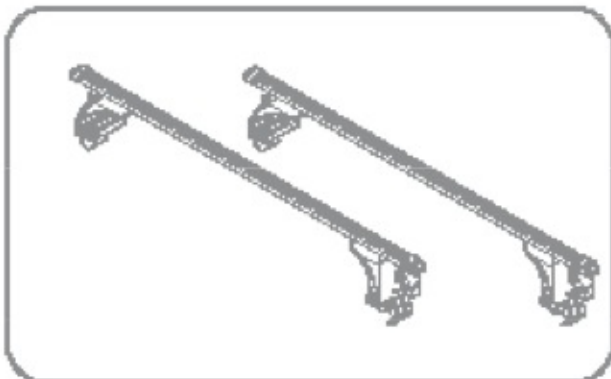


Art. **N15020**



A

ACCIAIO
Steel

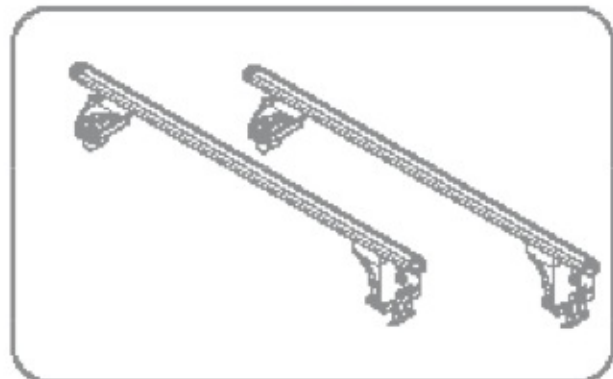


Art. **N15025**



A

ALLUMINIO
Aluminium

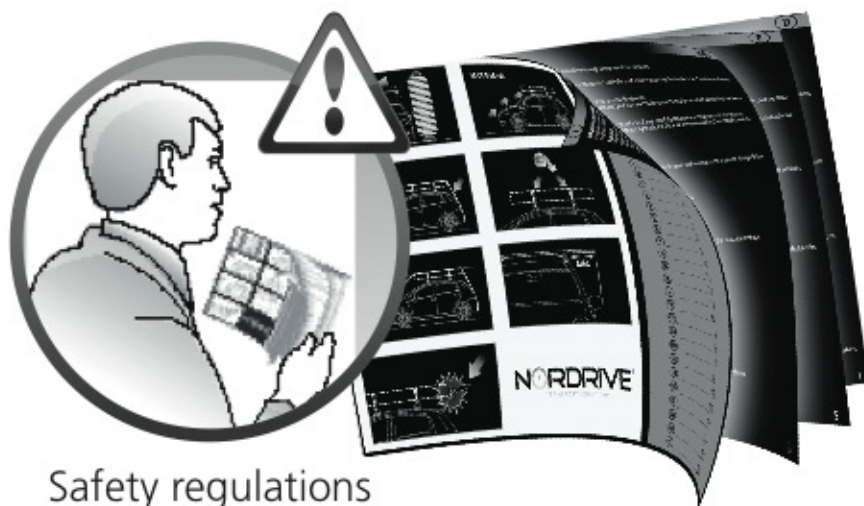
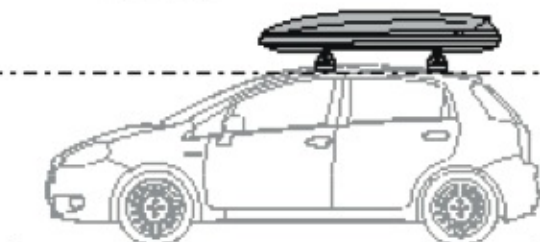


 +  +  = max **75kg**

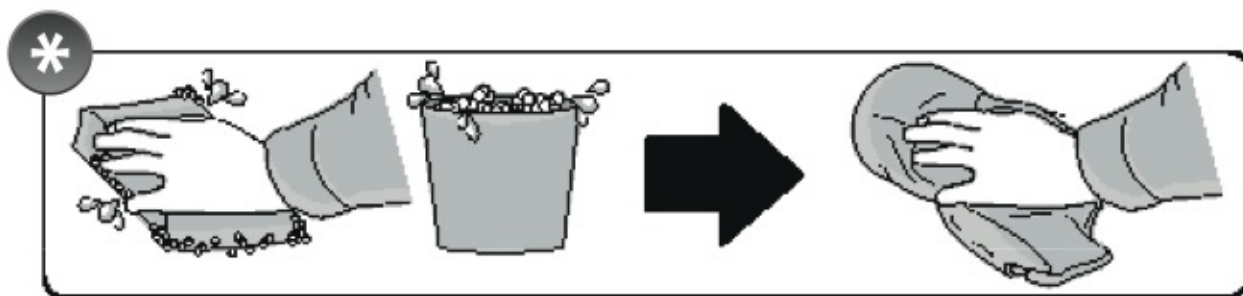
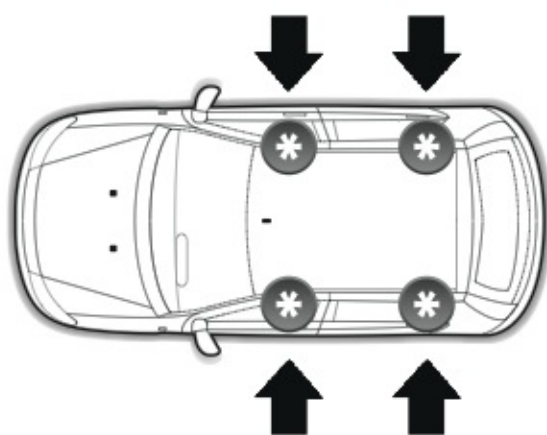
5,5kg



max: **???**kg



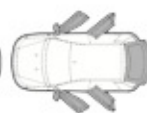
Safety regulations





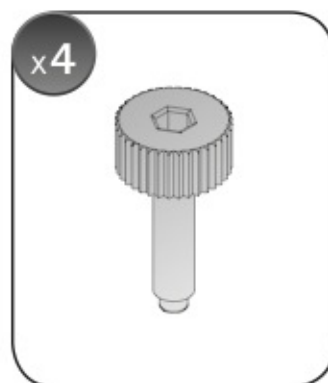
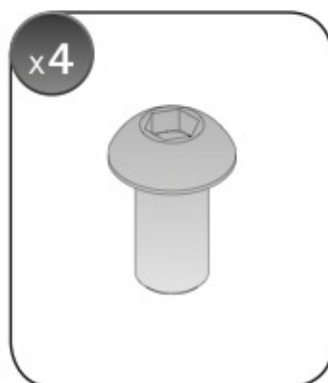
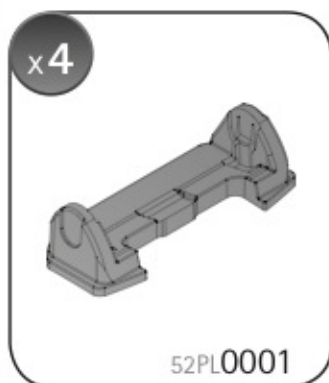
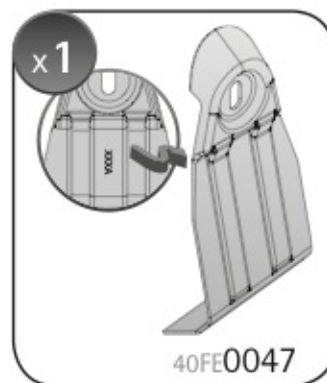
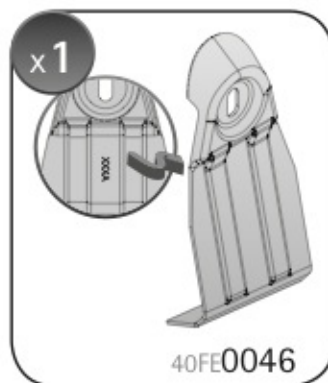
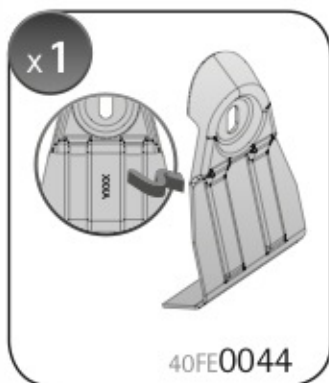
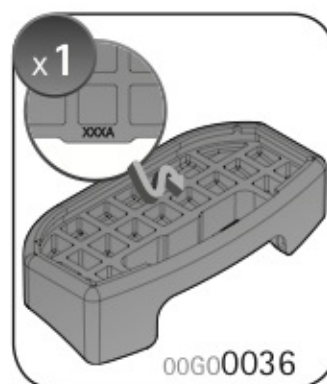
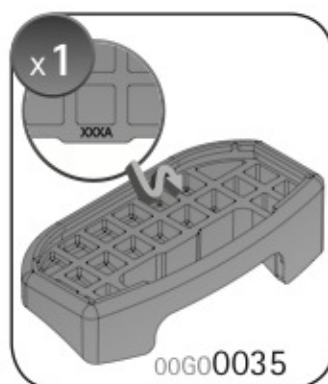
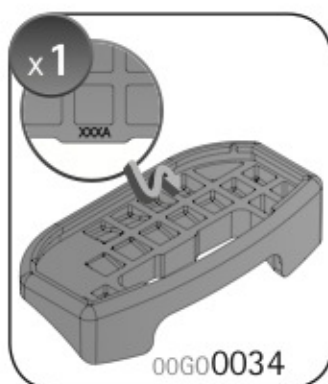
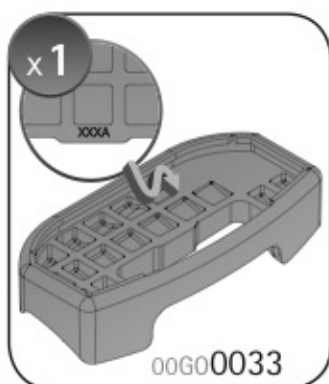
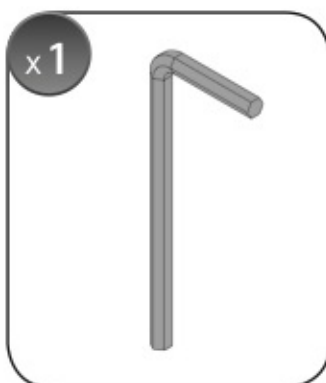
RENAULT CLIO

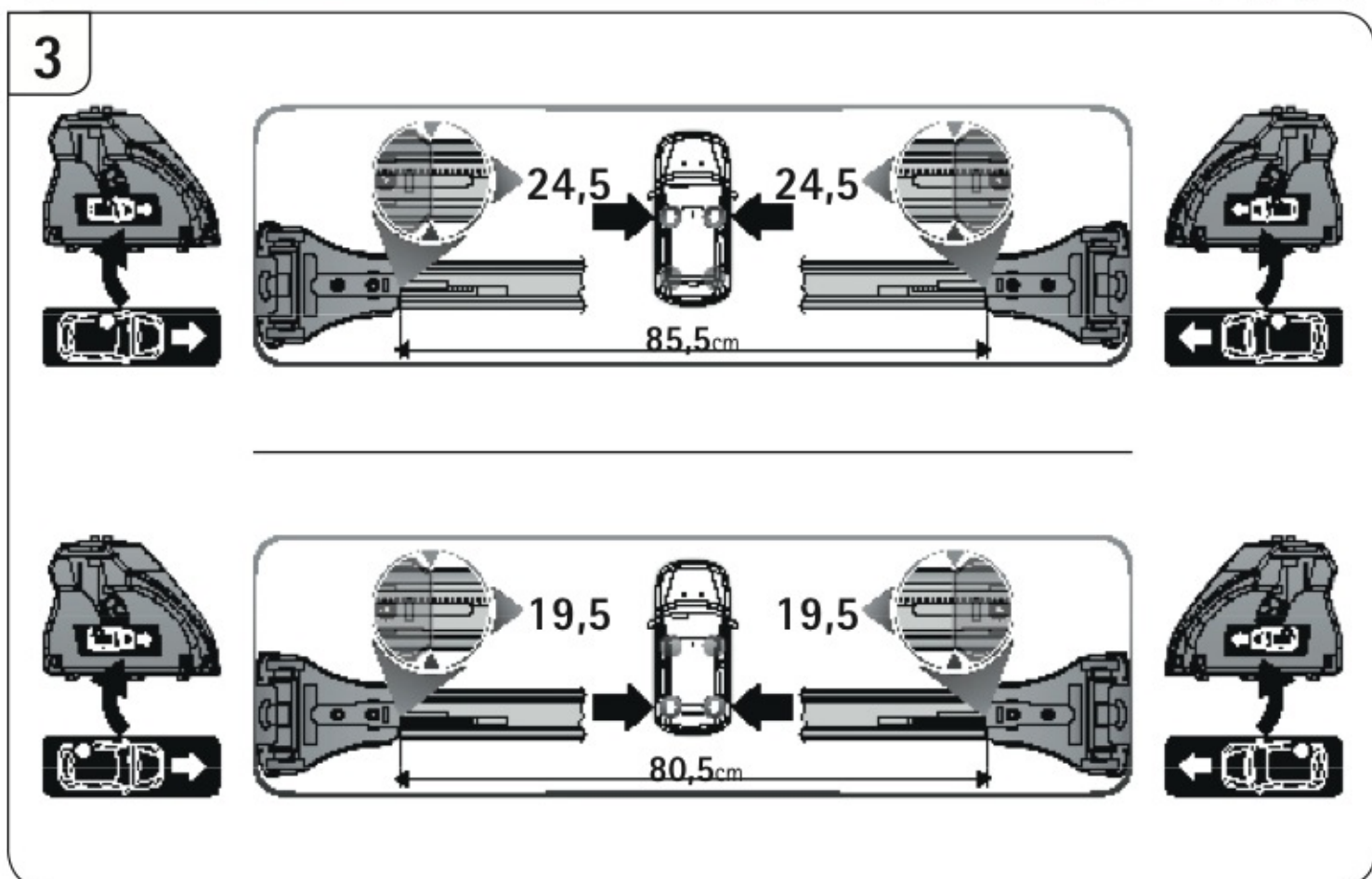
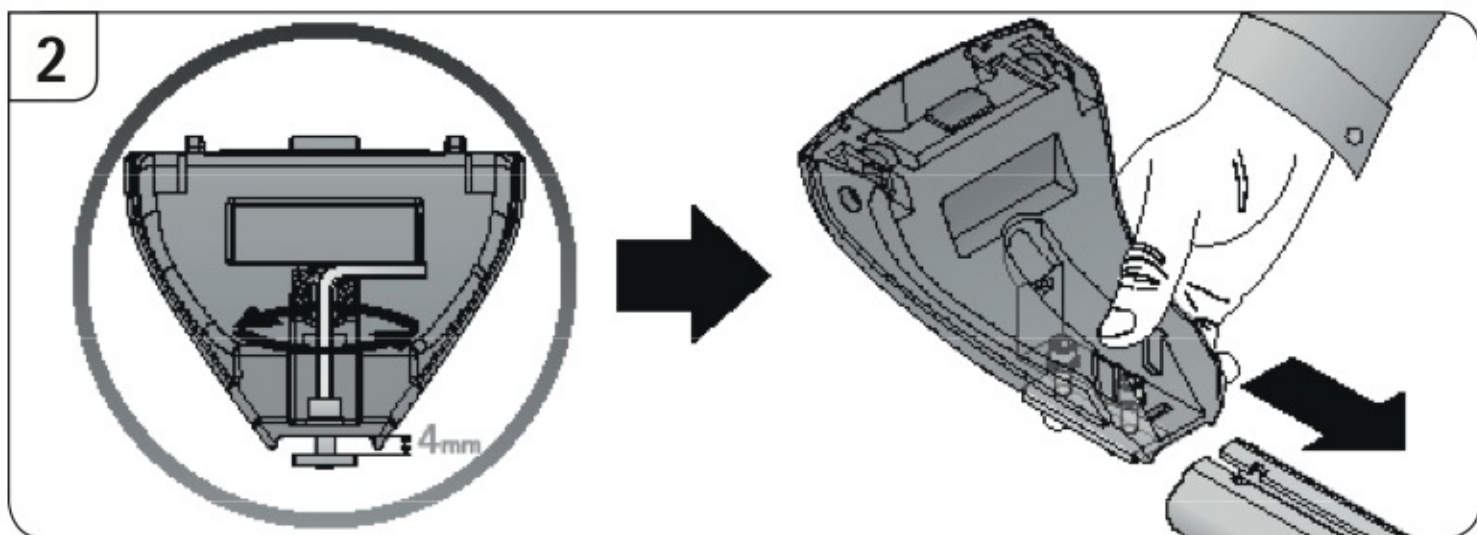
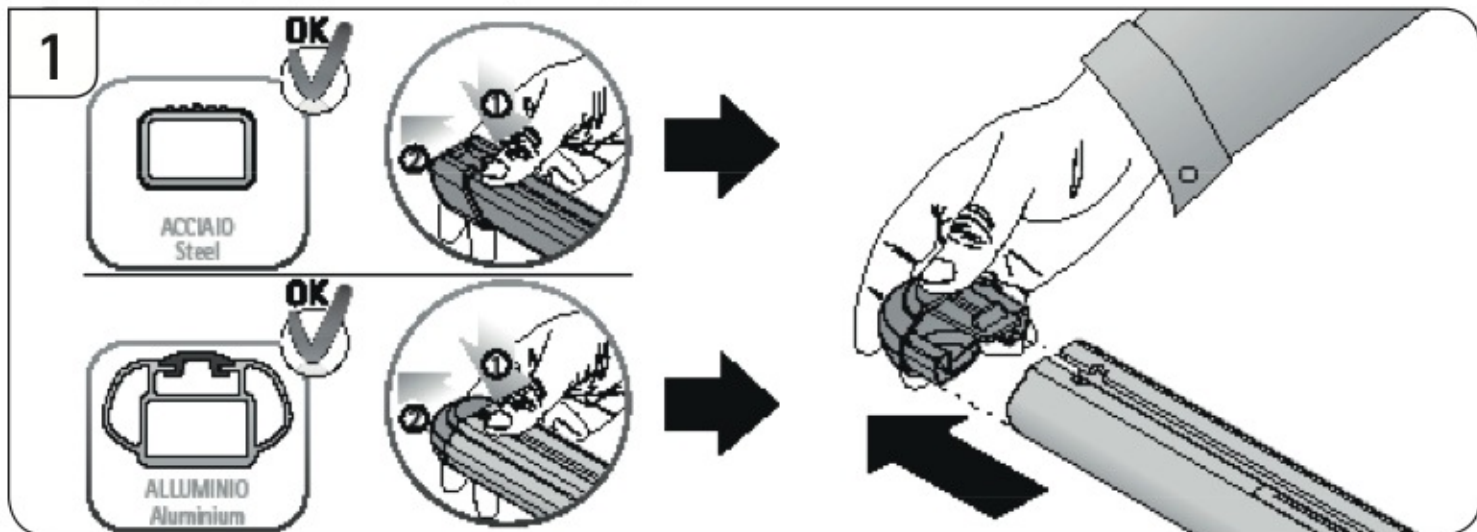
5



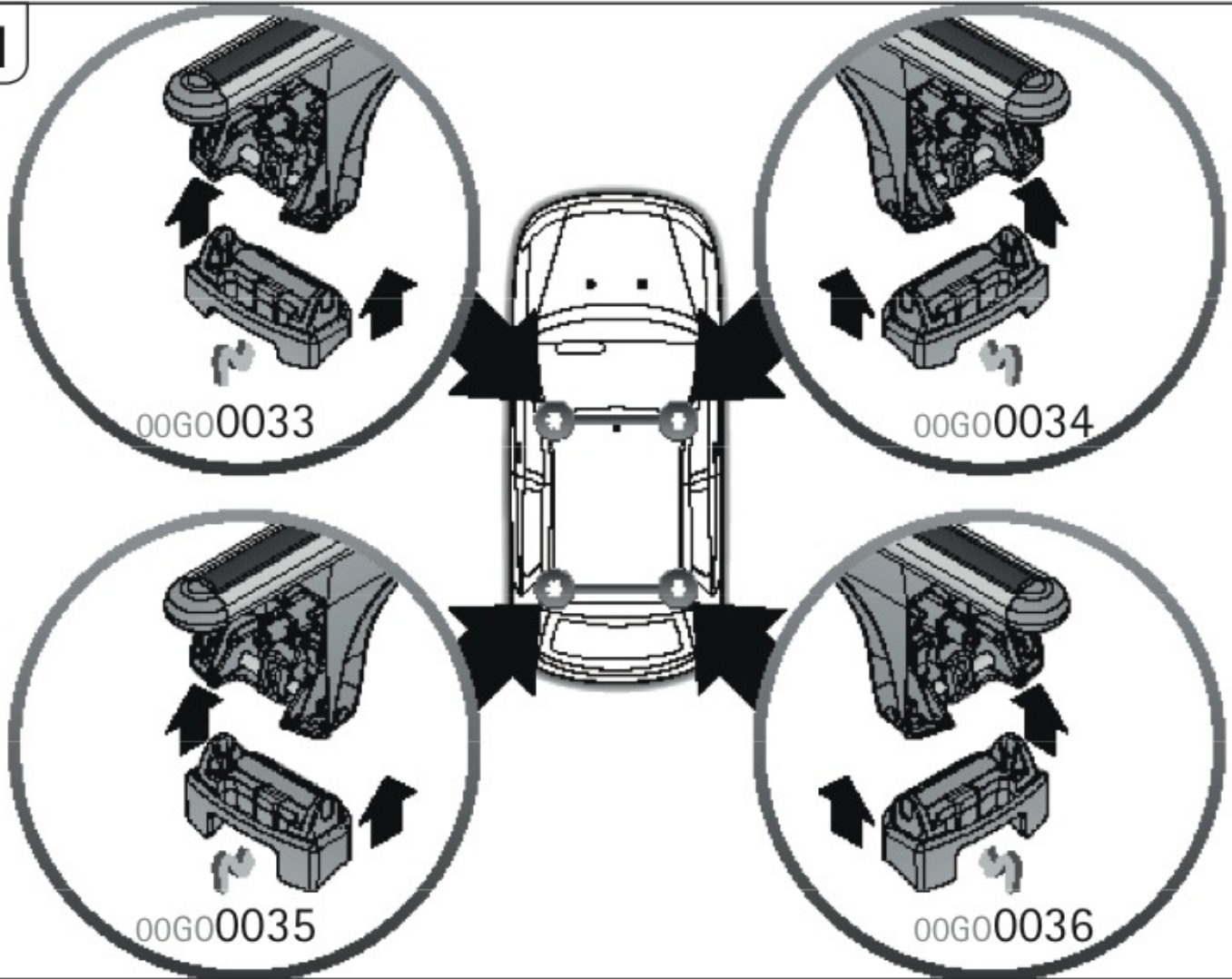
11/12 →

N21116

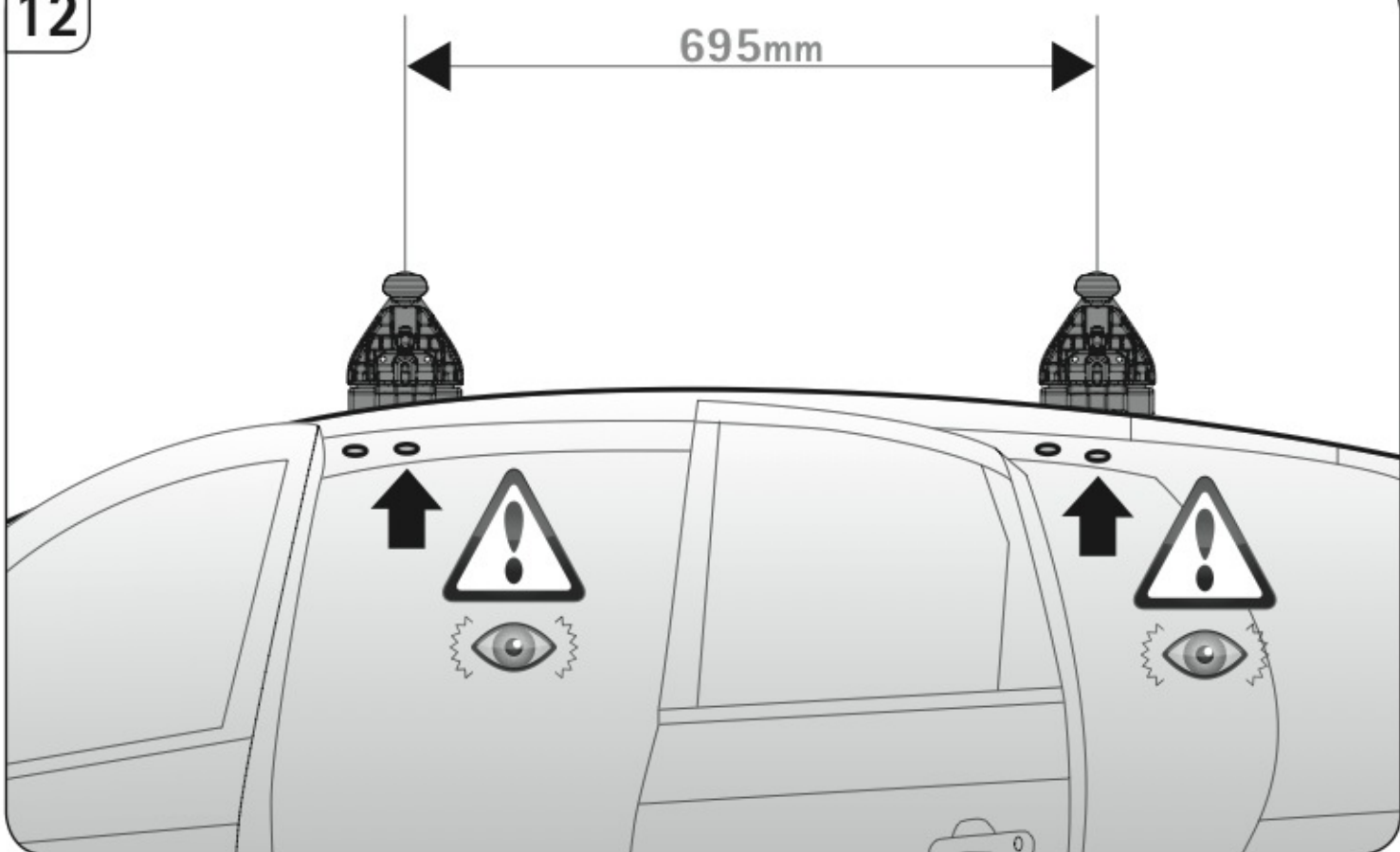




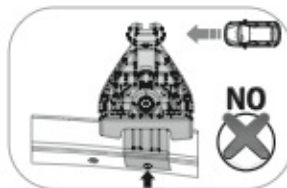
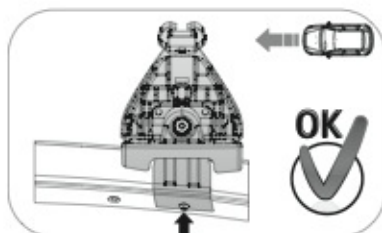
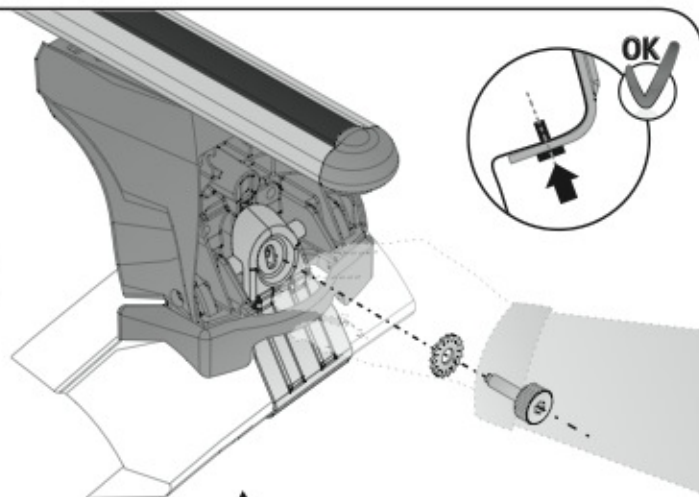
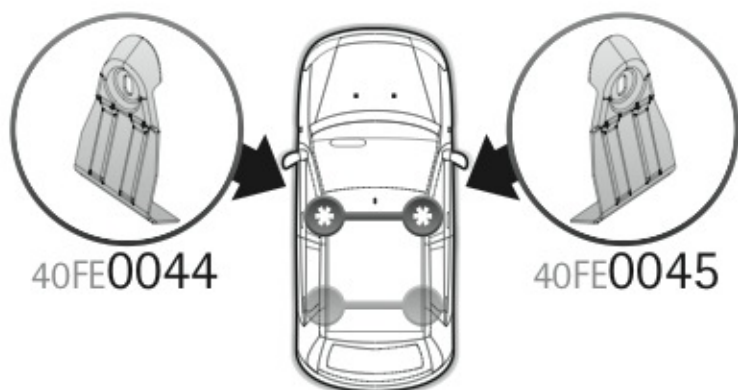
11



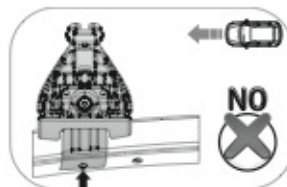
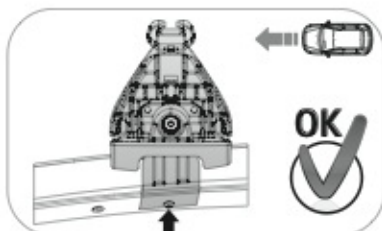
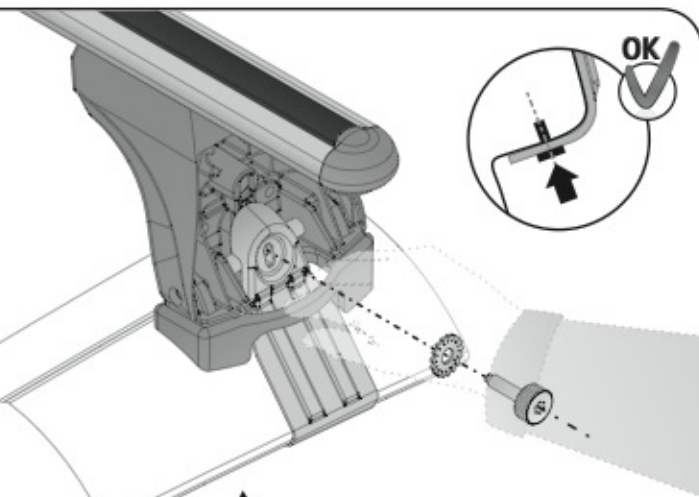
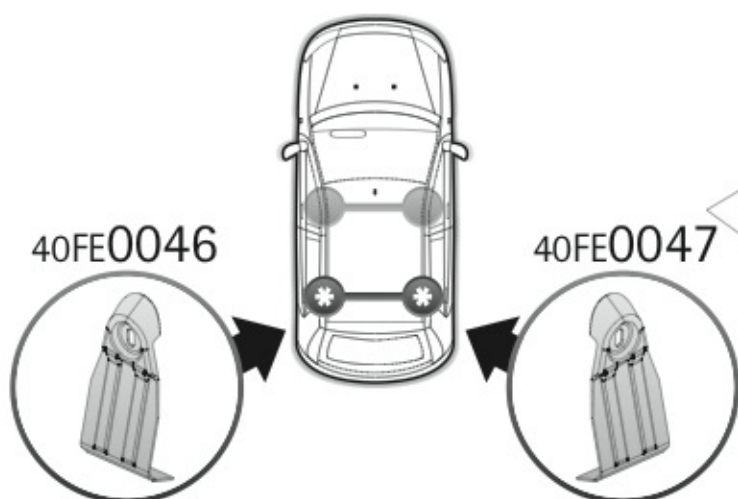
12



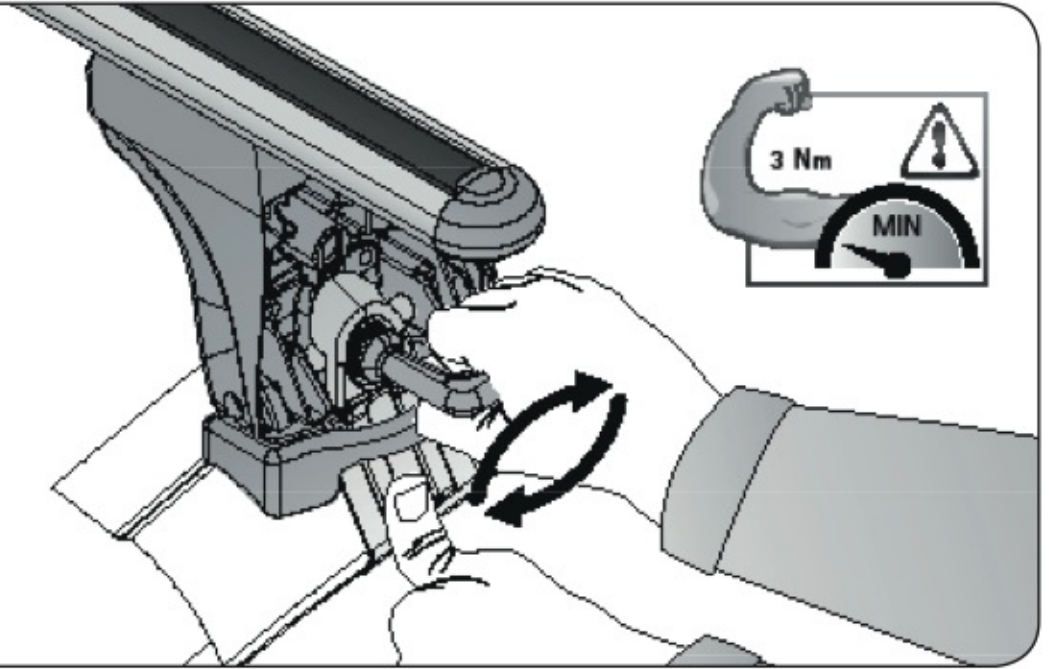
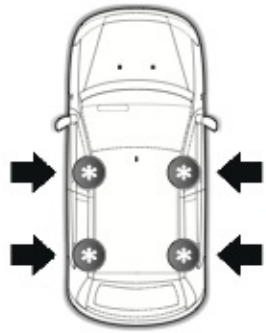
13



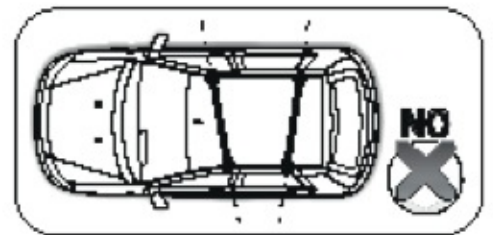
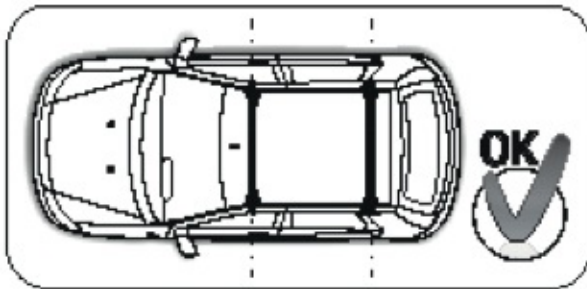
14



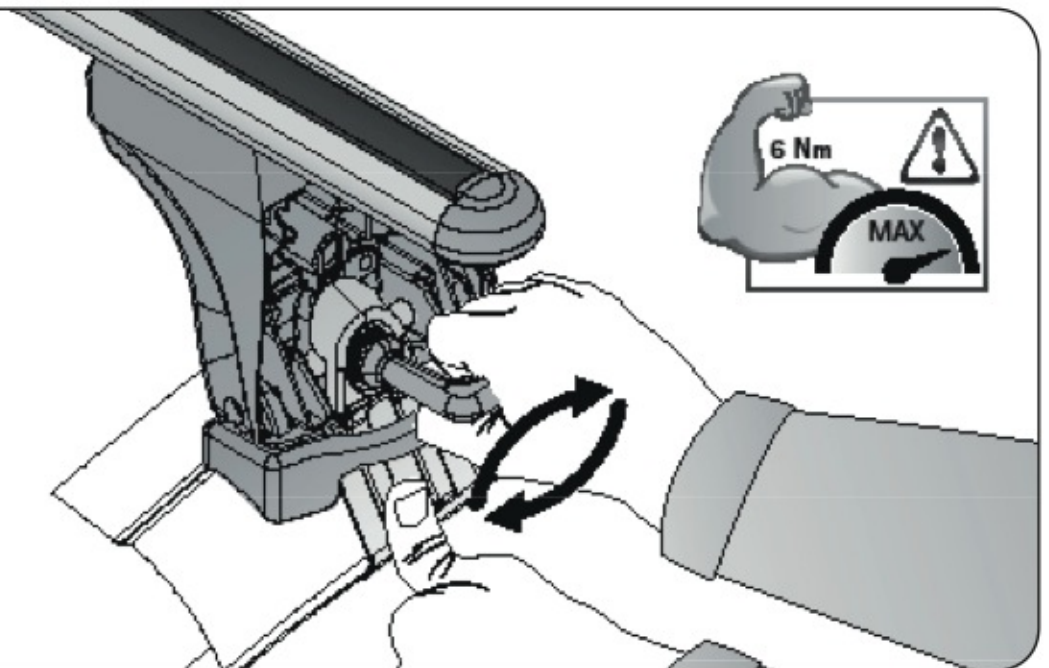
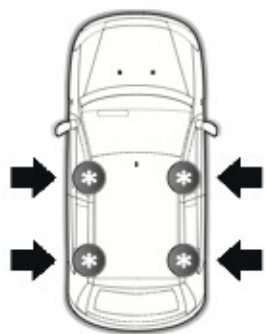
15



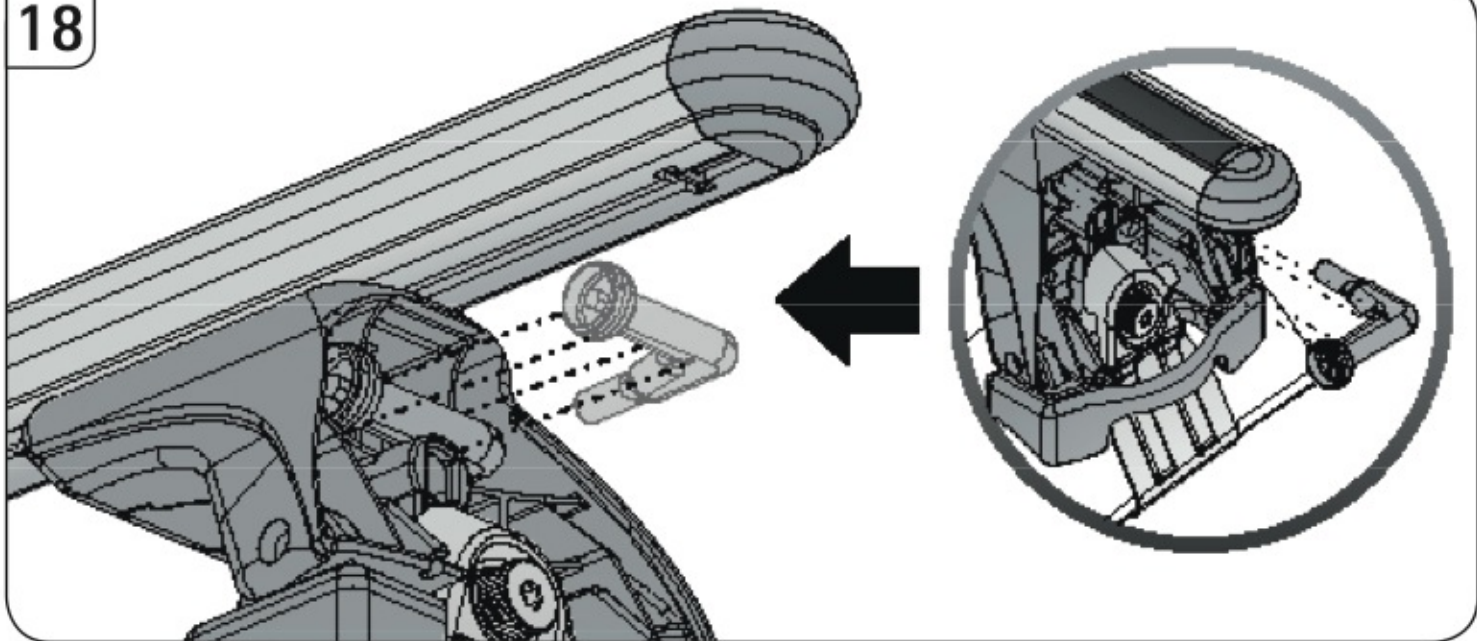
16



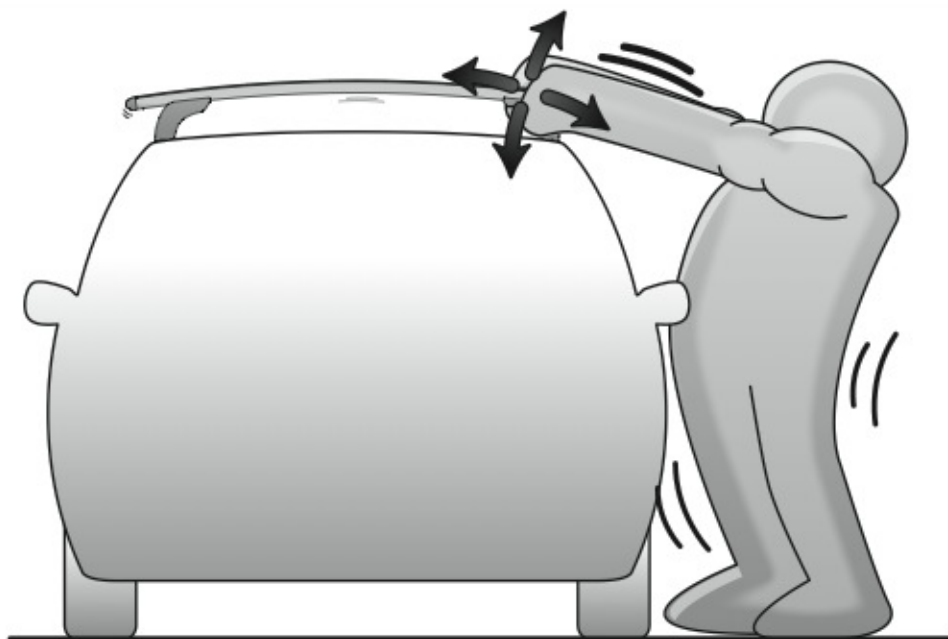
17



18



19



20

